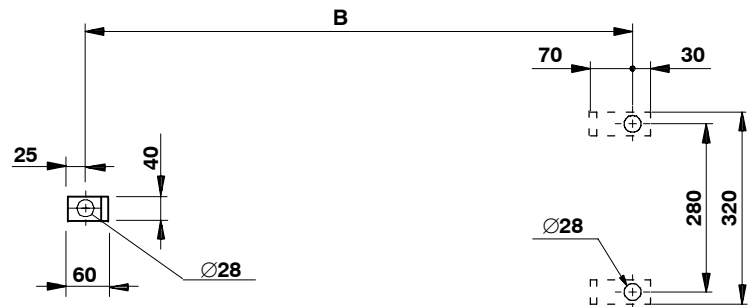
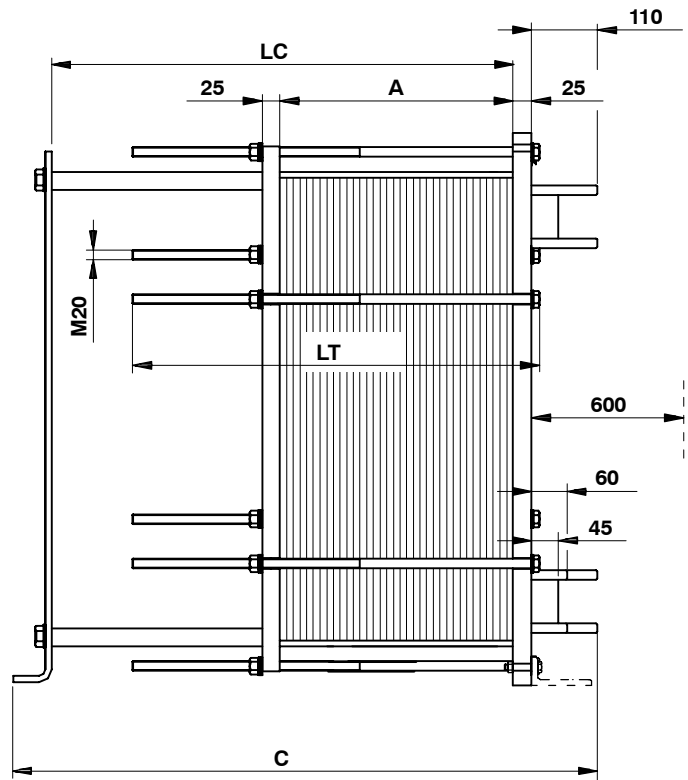
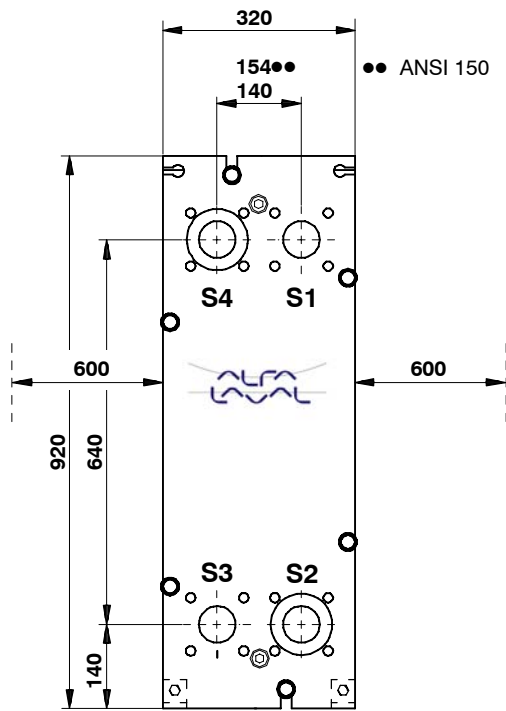




# PHE-TYPE M6-FG ALS

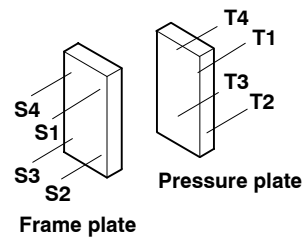


All dimensions in mm

## CONNECTION TYPES

See reverse side

## CONNECTION LOCATIONS



LOCATION	MEDIA	CONN.TYPE

QUOTATION NO.		
ORDER NO.		
ITEM NO.		
CALCULATION NO.		
PREPARED	CHECKED	APPROVED

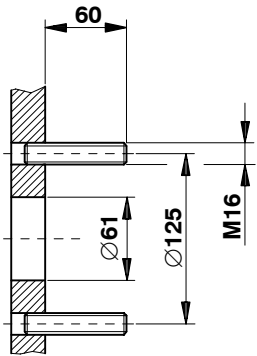
Date	No.	Edition	Dept.
0604	32200-13924	4	PC CHE

# CONNECTION TYPES

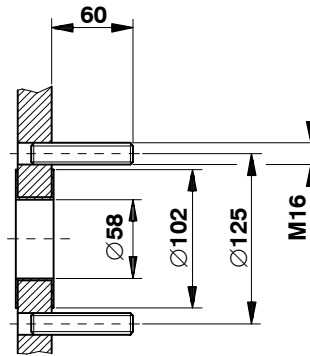
## DIN PN16 (A distance ring is necessary in connection hole 2 and 4)

Connection standard DIN PN16 also valid for EN1092 PN16 and GB PN16 and GOST PN16

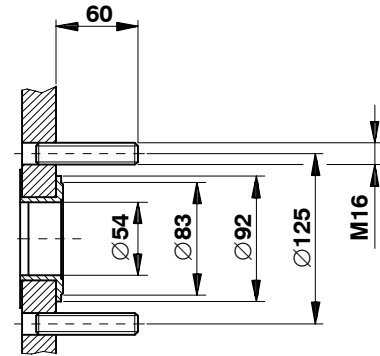
### 1. Unlined connection



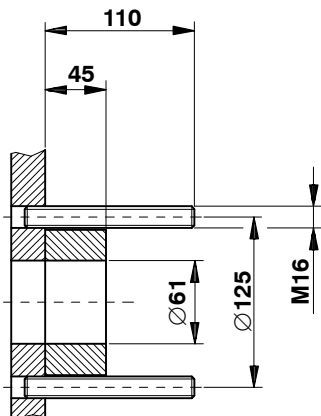
### 2. Sheet lining



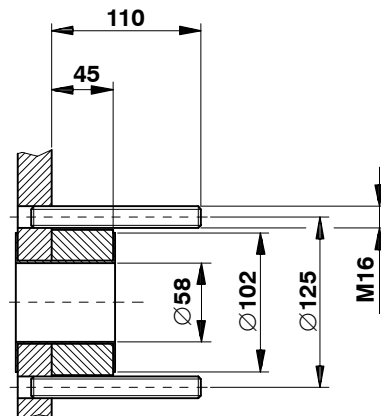
### 3. Rubber spool



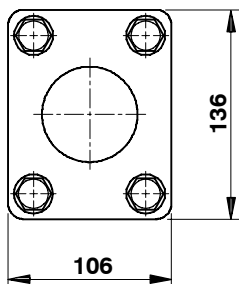
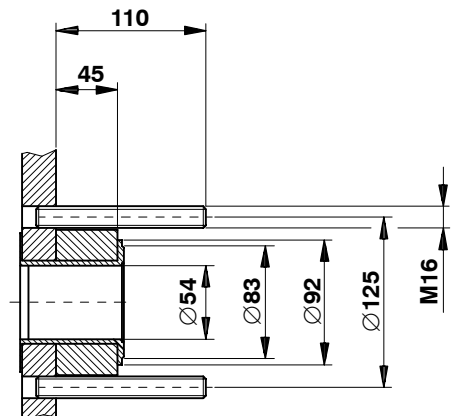
### Unlined connection and distance ring



### Sheet lining and distance ring



### Rubber spool and distance ring

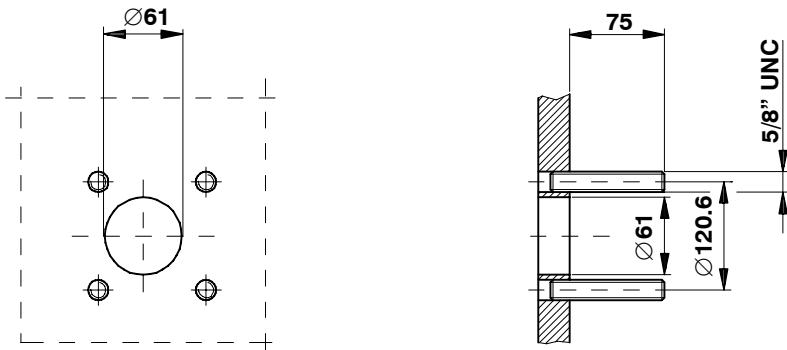


**Special loose flange for the pressure plate.  
Delivered with the PHE.**

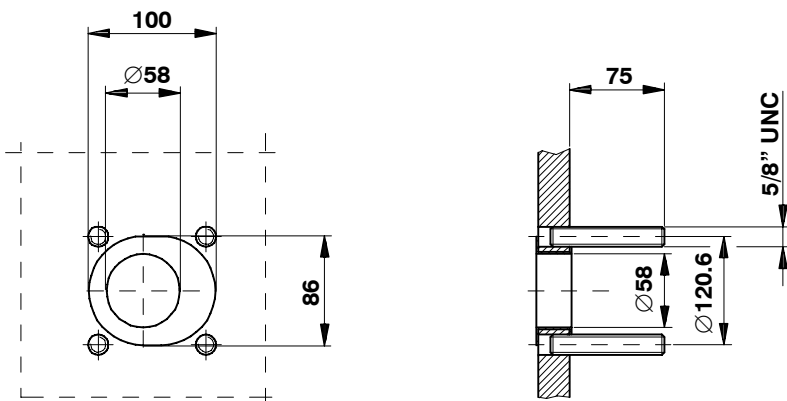
# CONNECTION TYPES

**ANSI 150** (The centers of stud bolts are moved separately 7 mm)

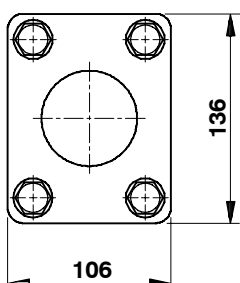
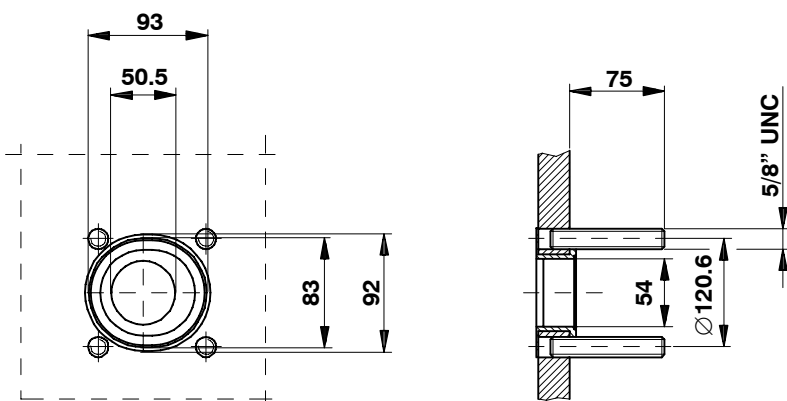
## 1. Unlined connection



## 2. Sheet lining



## 3. Rubber spool

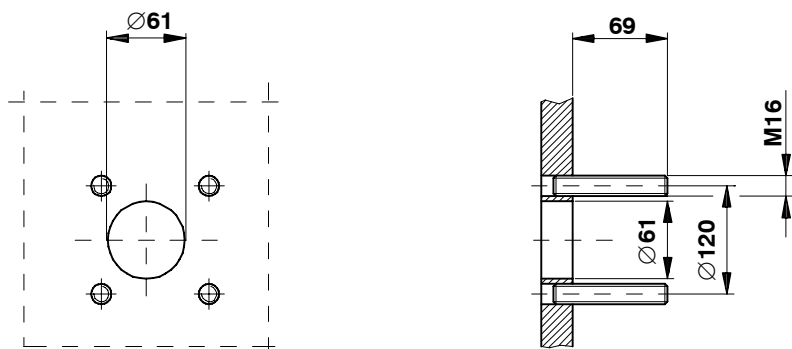


**Special loose flange for  
the pressure plate.  
Delivered with the PHE.**

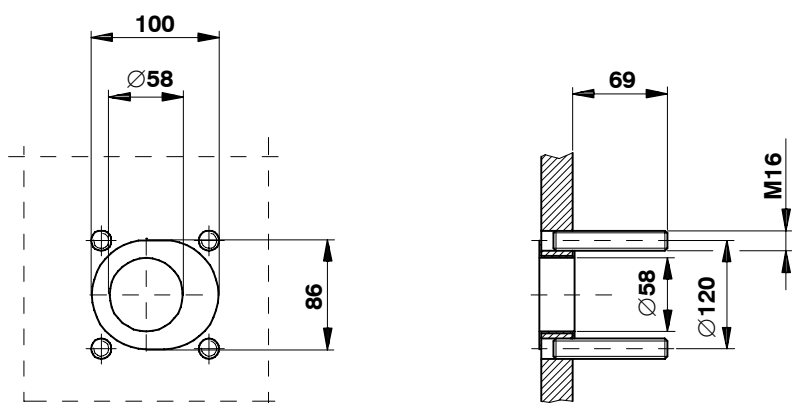
# CONNECTION TYPES

**JIS 16K** (The centers of stud bolts are moved separately 8 mm)

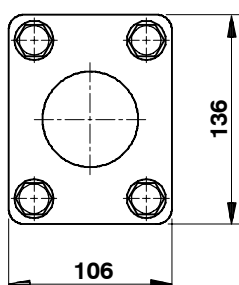
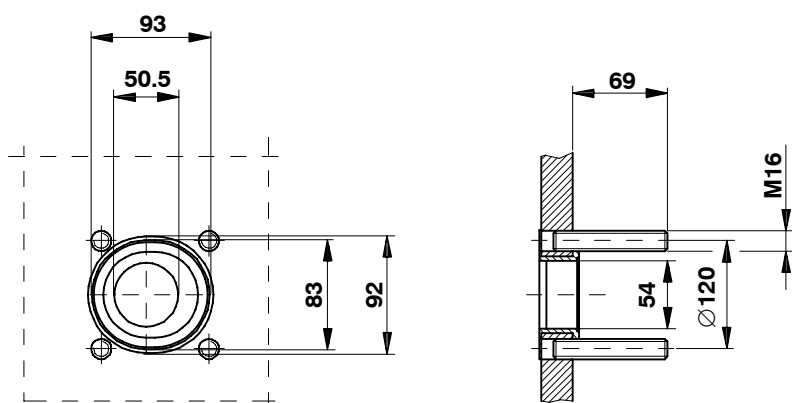
## 1. Unlined connection



## 2. Sheet lining



## 3. Rubber spool



**Special loose flange for  
the pressure plate.  
Delivered with the PHE.**