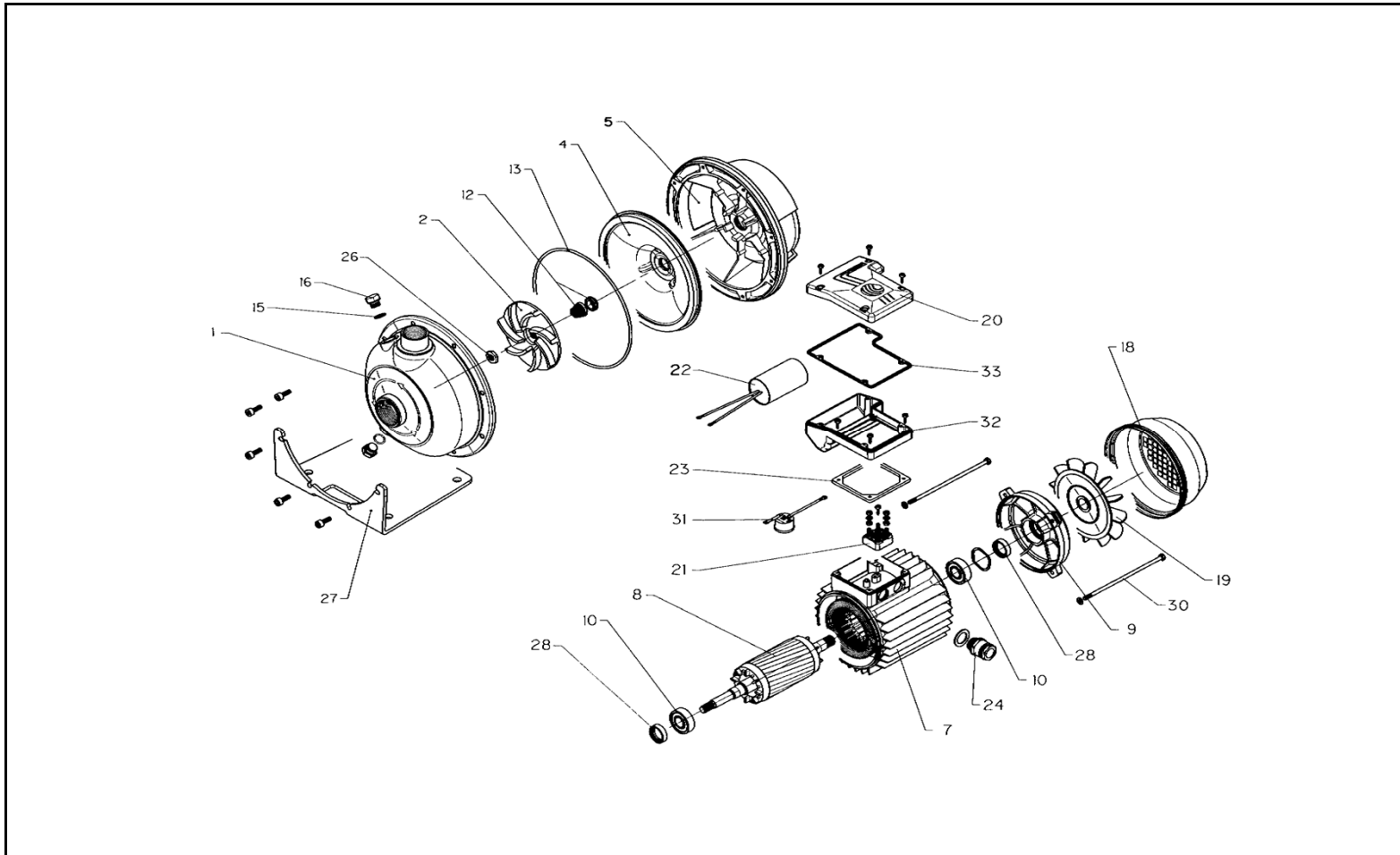


xylem

CO - COM 350 Serie - Series





LISTA PARTI DI RICAMBIO - SPARE PARTS LIST

CO - COM 350 (/A - /C) Serie - Series

13277R000 13283R000 13283R000 53000RW00

ITEM N.	DESCRIZIONE	DESCRIPTION	Q.TA' Q.TY	CODICE - CODE											
				CO 350/03/A	CO 350/05/A	CO 350/07/C	CO 350/09/C	CO 350/11/C	CO 350/15/C	COM 350/03/A	COM 350/05/A	COM 350/07/A	COM 350/09/A	COM 350/11/A	COM 350/15/A
				107350090 0.37 kW	107350100 0.55 kW	104302020 0.75 kW	104302030 1.1 kW	104302040 1.1 kW	104302050 1.5 kW	107350000 0.37 kW	107350010 0.55 kW	107350020 0.75 kW	107350030 0.9 kW	107350040 1.1 kW	107350050 1.5 kW
				CO/A: motor IE1 fitted						CO/C: motor IE2 fitted					
1	Corpo pompa	Pump body	1	151301680											
*2	Girante	Impeller	1	150702480	150702490	150702500	150702510	150702520	150702530	150702480	150702490	150702500	150702510	150702520	150702530
4	Disco portatenuta	Seal holding disc	1	160102460											
5	Lanterna	Adaptor	1	KL21AAA	KL21AAB	KL21AAC			5KL21AAA	KL21AAA	KL21AAB			KL21AAC	
7	Cassa mot. c/statore	Motor case w/ stator	1	KR0100300	KR0100700	KL25AC5	KL25AC7		5KL25AAA	KR0100200	KR0100600	KR0100800	KR0101000	KR0101300	KR0101500
8	Albero-rotore-cusc.	Shaft-rotor-bearings	1	KL09AAA	KL09AAB	KL09AAF	KL09AAG		5KL09ACQ	KL09AAA	KL09AAH	KL09AAK	KL09AAL	KL09AAM	KL09AAN
9	Coperchio motore	Motor cover	1						5KL20AAZ						
*10	Cuscinetti	Bearings	1	KL11AAA			KL11AAC			5KL11AAA	KL11AAA			KL11AAC	
*12	Tenuta meccanica	Mechanical seal	1	002231485											
*13	OR	OR	1	002221638											
*15	OR	OR	2	002221603											
16	Tappi carico + scarico	Fill + Drain plugs	->	168400090											
18	Copriventola	Fan cover	1	KL29AAC	KL29AAD	KL29AAE			5KL29AAA	KL29AAC	KL29AAD			KL29AAE	
19	Ventola	Fan	1	140760150		140760160			540760010	140760150			140760160		
20	Cop. scatola mors.	Terminal box cover	->	Vedi item 32 - Pls see item 32											
21	Connettore (Plug-in - mors.)	Plug-in element / Block	1	158160280					5830AAA	158160620	158160660	158160680	158160700	158160500	158160510
22	Condensatore	Capacitor	1							150990420	150990430	150990440	150990450	150990460	150990480
23	Guarniz. scat. mors.	Terminal box gasket	1												
24	Pressacavo M20x1,5	Cable gland M20x1,5	1	002858761					572858800	002858761					
26	Dado arresto gir.	Imp. fastening nut	1	167000210											
27	Piede di sostegno	Support foot	1	161403630											
28	Anelli di tenuta	Seal rings	1	KL03ABP					5KL03AAA	KL03ABP					
30	Tirante	Tie rod	1						5KL22AAA						
31	Motoprotettore	Overload protection	1	(2)					(3)	(1)					
32	Scat. morsett.	Terminal box	1	KL30AAA					5KL30AAE	KL30AAA			KL30AAB		
33	Guarniz. scat. mors.	Terminal box gasket	1												

\* Parti di ricambio consigliate - Recommended spare parts  
Versione Speciale FPM - FPM Special Version : CO .. / . K / A (cod.XN) : Tenuta - Seal : 002231493

(1) - Protezione insieme al connettore "Plug-in"  
Protection together to "Plug-in" element  
(2) Protezione a carico dell' utente  
Protection to be charged of the user

(3) - Protezione interna Statore, su richiesta  
Protection internal Stator, on request

